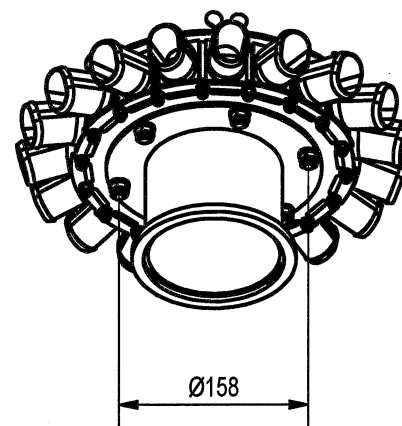
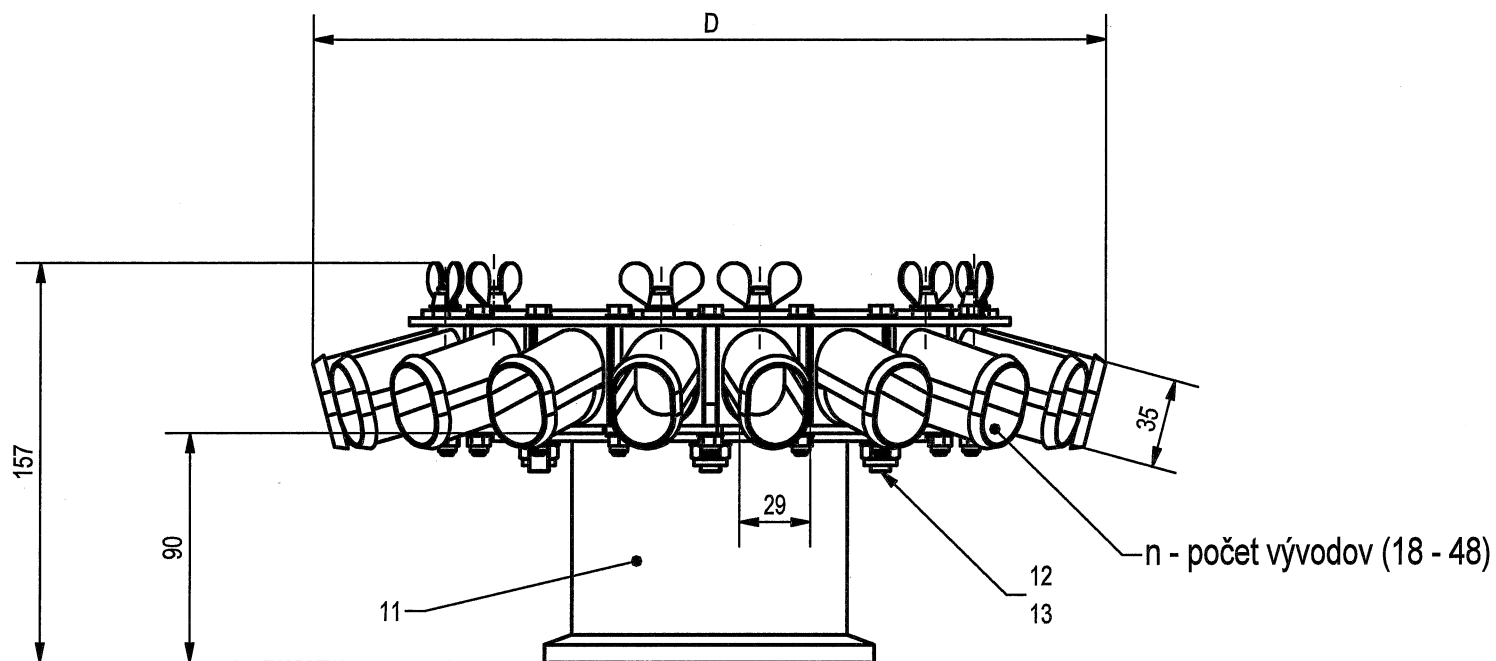


Rozdělovač 18 - 48 "n", kov - plast s hrdlom, Ø32

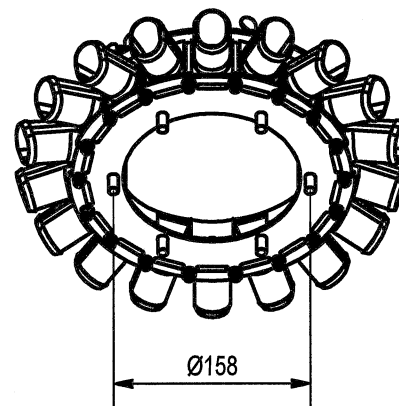
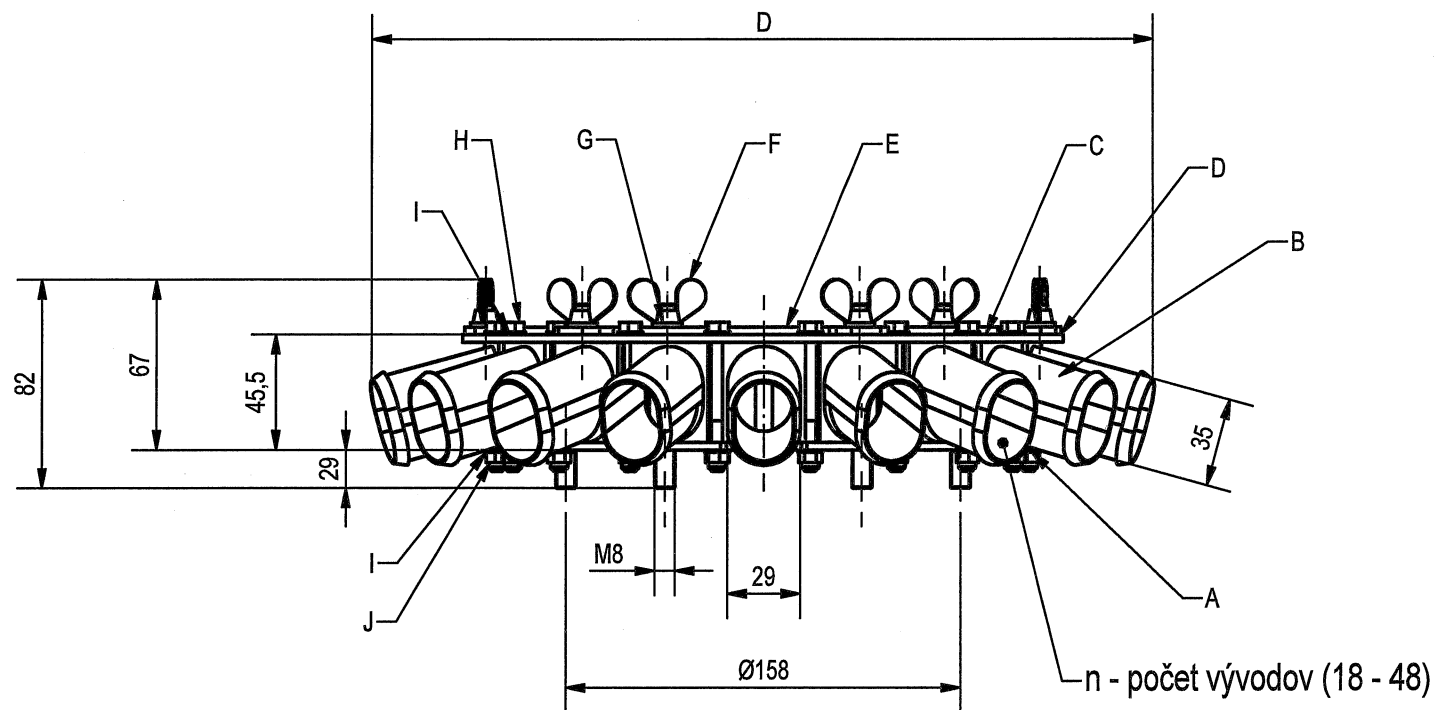
K071/A (6/24)

P. No.

11	13101200
12	90003661 Ø8,4
13	90002009 M8



Rozdeľovač 18 - 48 "n", kov - plast bez hrdla, Ø32



K071/B (6/24)

P. No.

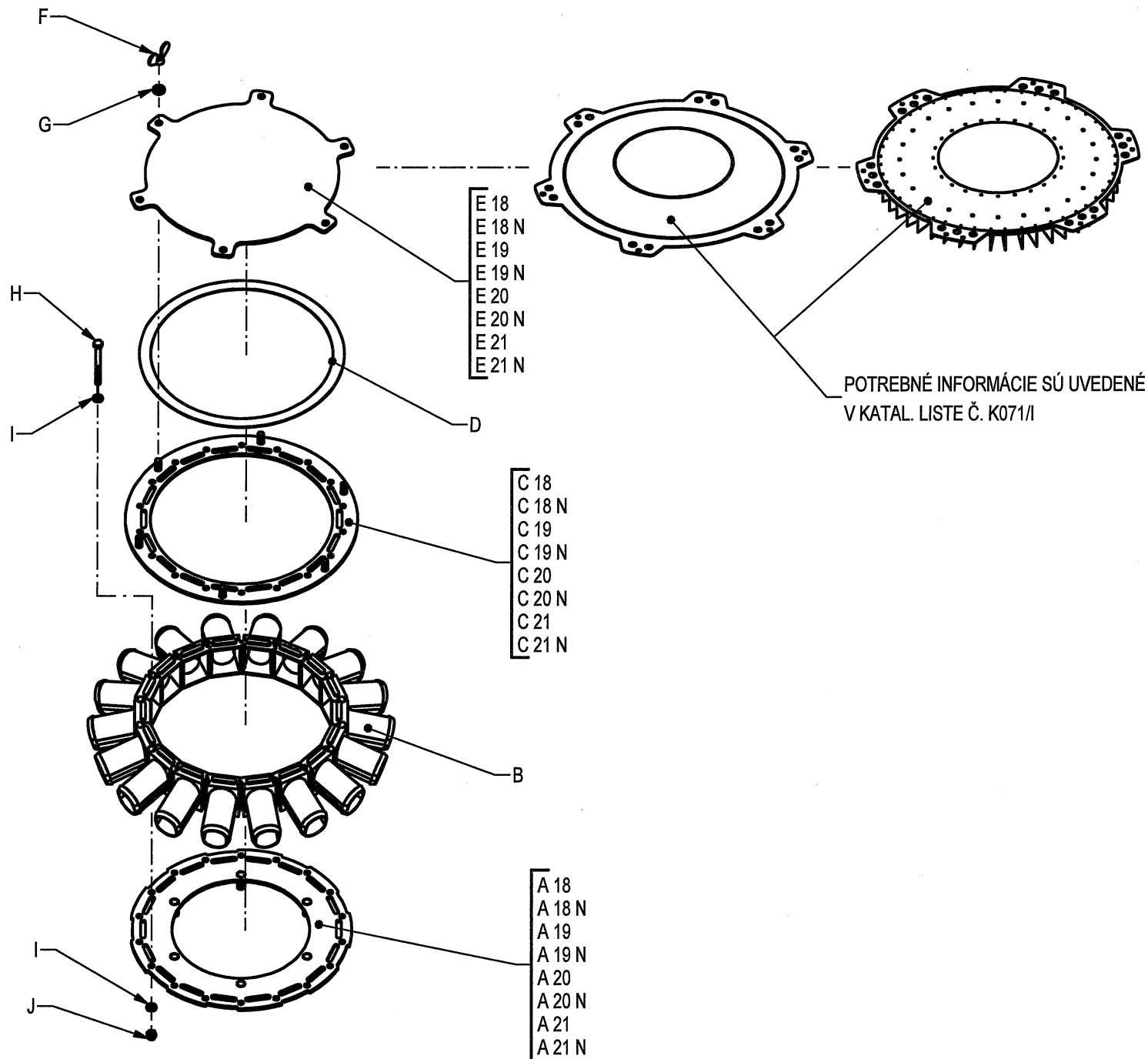
A
B
C
D
E
F
G
H
I
J

PODĽA KATAL. LISTOV
K071/C - I

K071/C (6/24)

P. No.

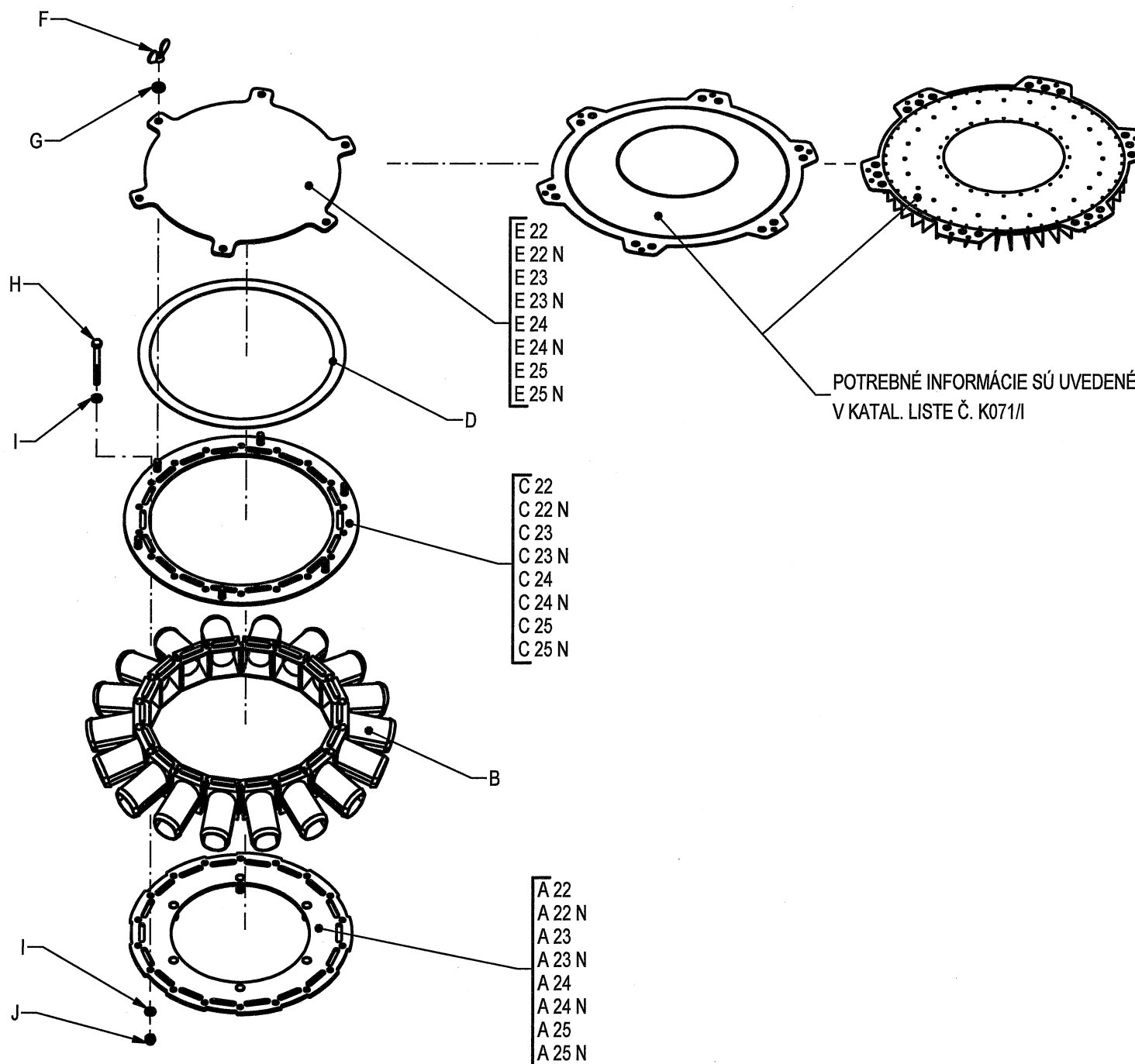
A 18	13102320
A 18 N	13102321
A 19	13102540
A 19 N	13102541
A 20	13102710
A 20 N	13102711
A 21	13105610
A 21 N	13105611
B	13101163
C 18	13102340
C 18 N	13102341
C 19	13102520
C 19 N	13102521
C 20	13102740
C 20 N	13102741
C 21	13105630
C 21 N	13105631
D	90040249
E 18	13102350
E 18 N	13102351
E 19	13102510
E 19 N	13102511
E 20	13102760
E 20 N	13102761
E 21	13102760
E 21 N	13102761
F	90002024 M6
G	90003024 Ø6,4
H	90001262 M5x55
I	90003042 Ø5,3
J	90002000 M5



K071/D (6/24)

P. No.

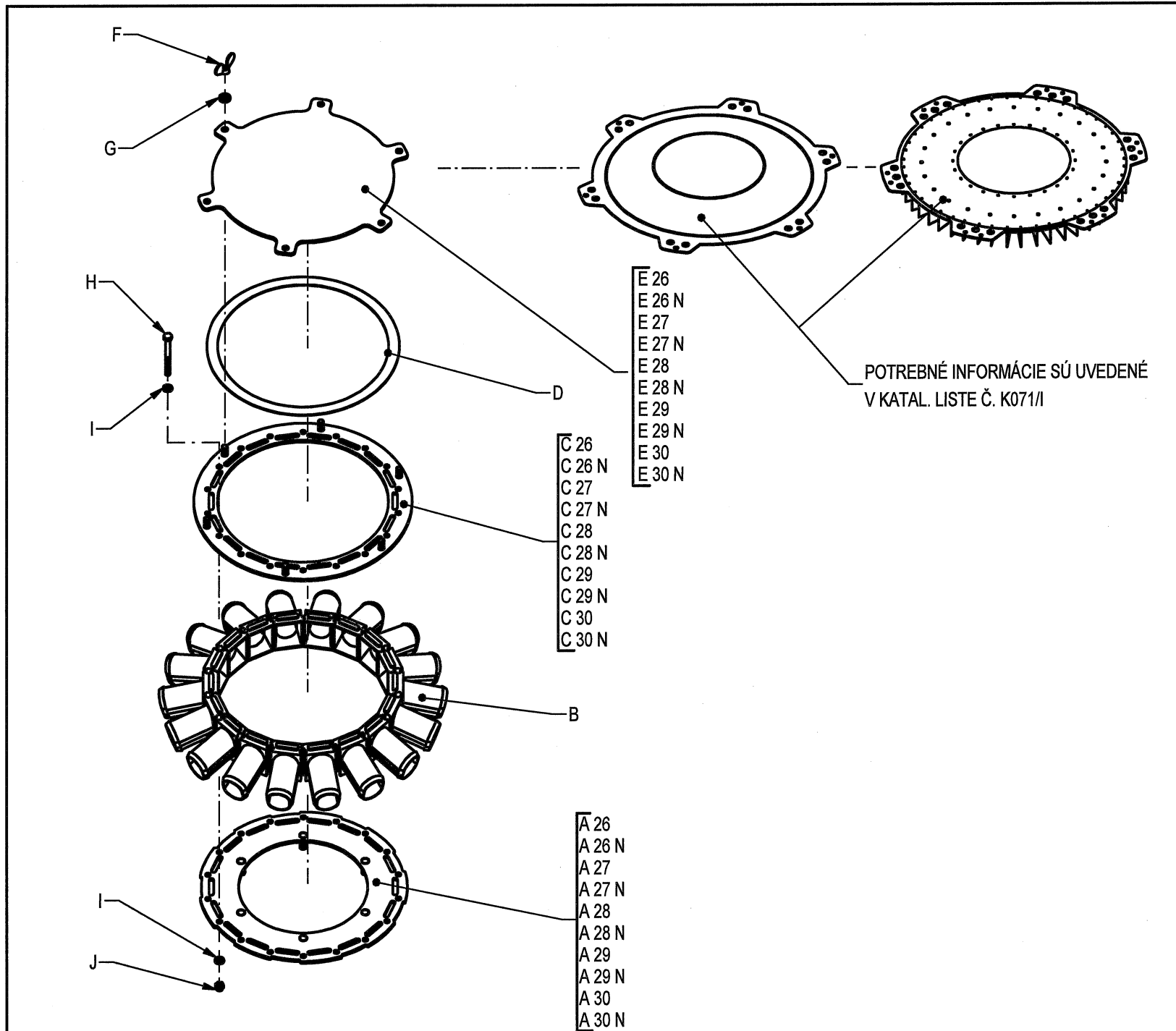
A 22	13104820
A 22 N	13104821
A 23	13105010
A 23 N	13105011
A 24	13101110
A 24 N	13101111
A 25	13105210
A 25 N	13105211
B	13101163
C 22	13104840
C 22 N	13104841
C 23	13105030
C 23 N	13105031
C 24	13101120
C 24 N	13101121
C 25	13105230
C 25 N	13105231
D	90040249
E 22	13104850
E 22 N	13104851
E 23	13105050
E 23 N	13105051
E 24	13101150
E 24 N	13101151
E 25	13105250
E 25 N	13105251
F	90002024 M6
G	90003024 Ø6,4
H	90001262 M5x55
I	90003042 Ø5,3
J	90002000 M5



K071/E (6/24)

P. No.

A 26	13104510
A 26 N	13104511
A 27	13106220
A 27 N	13106221
A 28	13104620
A 28 N	13104621
A 29	13104710
A 29 N	13104711
A 30	13102860
A 30 N	13102861
B	13101163
C 26	13104540
C 26 N	13104541
C 27	13106240
C 27 N	13106241
C 28	13104640
C 28 N	13104641
C 29	13104730
C 29 N	13104731
C 30	13102880
C 30 N	13102881
D	90040249
E 26	13104560
E 26 N	13104561
E 27	13106250
E 27 N	13106251
E 28	13104660
E 28 N	13104661
E 29	13104750
E 29 N	13104751
E 30	13102910
E 30 N	13102911
F	90002024 M6
G	90003024 Ø6,4
H	90001262 M5x55
I	90003042 Ø5,3
J	90002000 M5

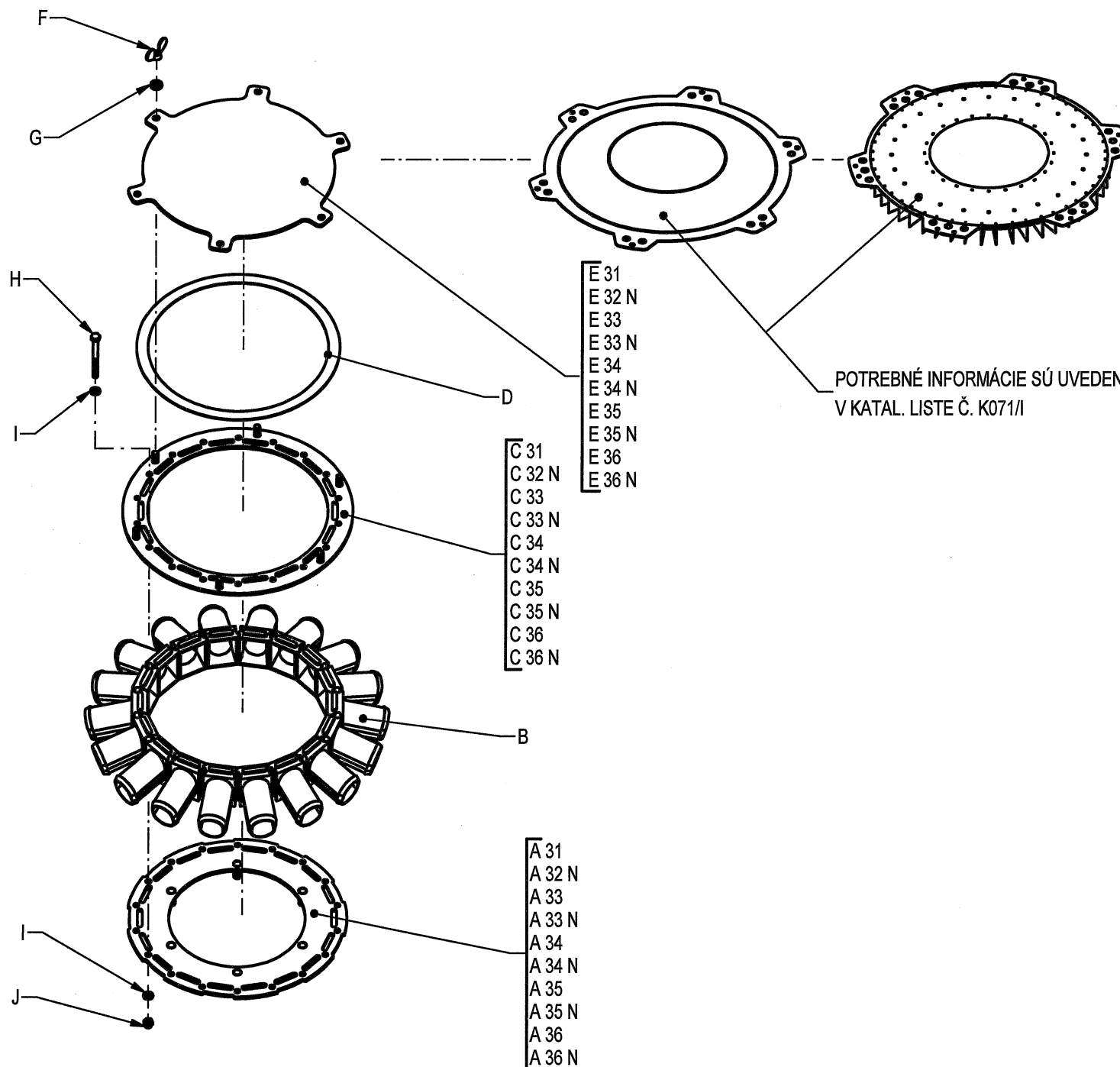


K071/F (6/24)

P. No.

A 31	13106510
A 31 N	13106511
A 32	13101310
A 32 N	13101311
A 33	13106610
A 33 N	13106611
A 34	13106810
A 34 N	13106811
A 35	13106910
A 35 N	13106911
A 36	13101510
A 36 N	13101511
B	13101163
C 31	13106530
C 31 N	13106531
C 32	13101330
C 32 N	13101331
C 33	13106630
C 33 N	13106631
C 34	13106830
C 34 N	13106831
C 35	13106930
C 35 N	13106931
C 36	13101530
C 36 N	13101531
D	90040249
E 31	13106550
E 31 N	13106551
E 32	13101350
E 32 N	13101351
E 33	13106650
E 33 N	13106651
E 34	13106850
E 34 N	13106851
E 35	13106950
E 35 N	13106951
E 36	13101550
E 36 N	13101551
F	90002024 M6
G	90003024 Ø6,4
H	90001262 M5x55
I	90003042 Ø5,3
J	90002000 M5

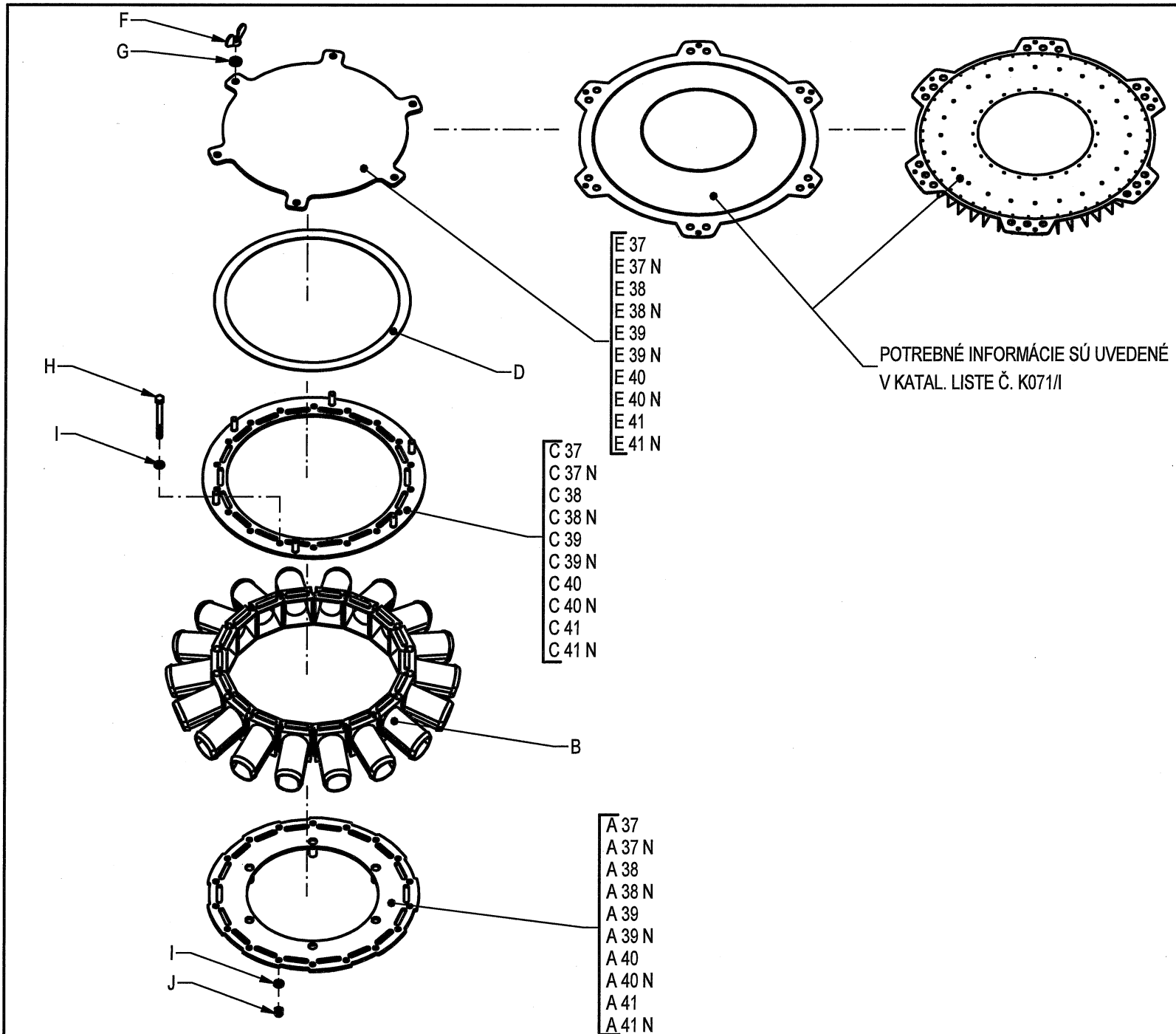
POTREBNÉ INFORMÁCIE SÚ UVEDENÉ
V KATAL. LISTE Č. K071/I



K071/G (6/24)

P. No.

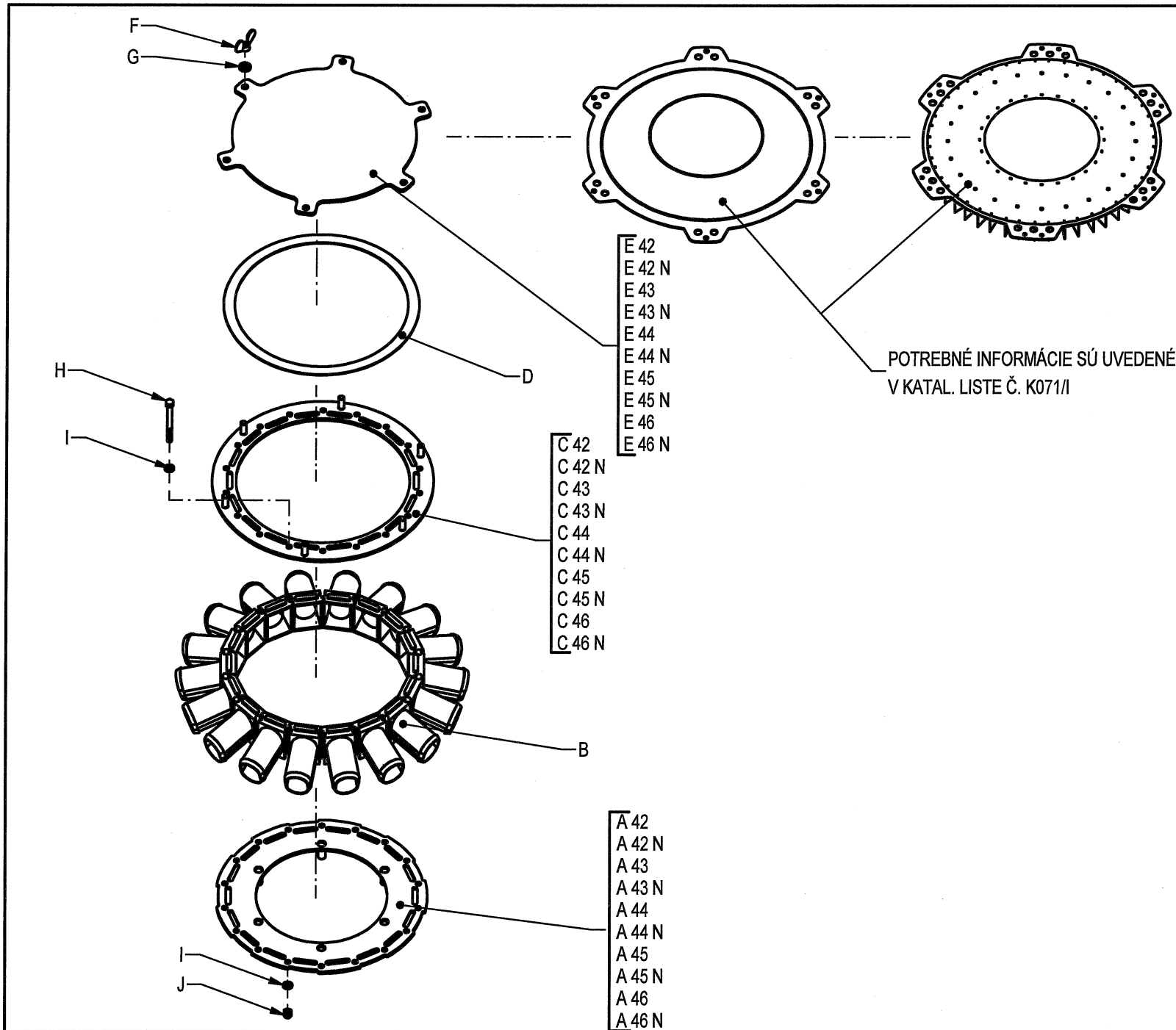
A 37	13107010
A 37 N	13107011
A 38	13101710
A 38 N	13101711
A 39	13107110
A 39 N	13107111
A 40	13106410
A 40 N	13106411
A 41	13107210
A 41 N	13107211
B	13101163
C 37	13107030
C 37 N	13107031
C 38	13101730
C 38 N	13101731
C 39	13107130
C 39 N	13107131
C 40	13106430
C 40 N	13106431
C 41	13107230
C 41 N	13107231
D	90040249
E 37	13107050
E 37 N	13107051
E 38	13101750
E 38 N	13101751
E 39	13107150
E 39 N	13107151
E 40	13106450
E 40 N	13106451
E 41	13107250
E 41 N	13107251
F	90002024 M6
G	90003024 Ø6,4
H	90001262 M5x55
I	90003042 Ø5,3
J	90002000 M5

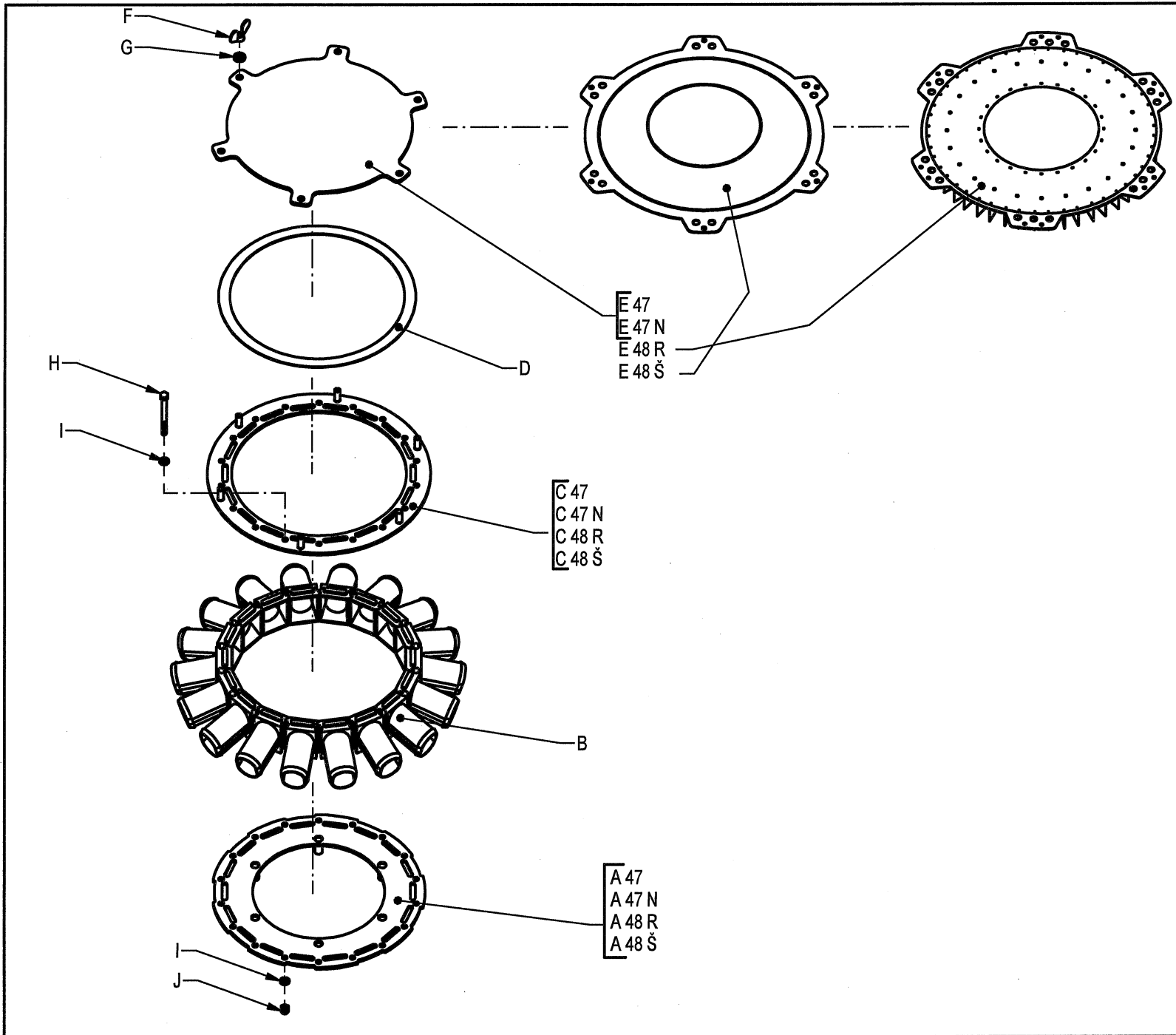


K071/H (6/24)

P. No.

A 42	13107310
A 42 N	13107311
A 43	13106710
A 43 N	13106711
A 44	13107410
A 44 N	13107411
A 45	13107510
A 45 N	13107511
A 46	13107610
A 46 N	13107611
B	13101163
C 42	13107330
C 42 N	13107331
C 43	13106730
C 43 N	13106731
C 44	13107430
C 44 N	13107431
C 45	13107530
C 45 N	13107531
C 46	13107630
C 46 N	13107631
D	90040249
E 42	13107350
E 42 N	13107351
E 43	13106750
E 43 N	13106751
E 44	13107450
E 44 N	13107451
E 45	13107550
E 45 N	13107551
E 46	13107650
E 46 N	13107651
F	90002024 M6
G	90003024 Ø6,4
H	90001262 M5x55
I	90003042 Ø5,3
J	90002000 M5





K071/I (6/24)	
P.	No.
A 47	13107710
A 47 N	13107711
A 48 R	13102001
A 48 Š	13102001
B	13101163
C 47	13107730
C 47 N	13107731
C 48 R	13101920
C 48 Š	13101920
D	90040249
E 47	13107750
E 47 N	13107751
E 48 R	13101940
E 48 Š	13102010
F	90002024 M6
G	90003024 Ø6,4
H	90001262 M5x55
I	90003042 Ø5,3
J	90002000 M5

K071 /A-T (6/24)

R (Ø32) KOV /NEREZ/ - PLAST			
n - počet vývodov	Obj. č. zostavy s hrdlom	Obj. č. rozdeľovača bez hrdla	D (mm)
18	13102400	13102300	317
18N	13102401	13102301	317
19	13102650	13102500	327
19N	13102651	13102501	327
20	13102800	13102700	338
20N	13102801	13102800	338
21	13105601	13105600	348
21N	13105701	13105700	348
22	13104801	13104800	360
22N	13104881	13104880	360
23	13105001	13105000	376
23N	13105101	13105100	376
24	13101240	13101100	381
24N	13101260	13101250	381
25	13105201	13105200	396
25N	13105301	13105300	396
26	13104501	13104500	403
26N	13104581	13104580	403
27	13106201	13106200	409
27N	131006301	13106300	409
28	13104601	13104600	415
28N	13104681	13104680	415
29	13104701	13104700	430
29N	13104781	13104780	430
30	13102851	13102580	443
30N	13102951	13102950	443
31	13106501	13106500	457
31N	13106581	13106580	457
32	13101400	13101300	464
32N	13101460	13101450	464
33	13106601	13106600	478
33N	13106681	13106680	478
34	13106801	13106800	493
34N	13106881	13106880	493
35	13106901	13106900	507
35N	13106981	13106980	507
36	13101600	13101500	514
36N	13101660	13101650	514

R (Ø32) KOV /NEREZ/ - PLAST			
n - počet vývodov	Obj. č. zostavy s hrdlom	Obj. č. rozdeľovača bez hrdla	D (mm)
37	13107001	13107000	528
37N	13107081	13107080	528
38	13101701	13101700	542
38N	13101781	13101780	542
39	13107101	13107100	556
39N	13107181	13107180	556
40	13106401	13106400	571
40N	13106481	13106480	571
41	13107201	13107200	585
41N	13107281	13107280	585
42	13107301	13107300	599
42N	13107381	13107380	599
43	13106701	13106700	605
43N	13106781	13106780	605
44	13107401	13107400	609
44N	13107481	13107480	609
45	13107501	13107500	614
45N	13107581	13107580	614
46	13107601	13107600	619
46N	13107681	13107680	619
47	13107701	13107700	622
47N	13107781	13107780	622
48 - Rybin. kryt	13101981	13101901	636
48 - Štandard	13101982	13101900	636

K071/A-T (6/24)

K071 /B-T (6/24)

R (Ø32) KOV /NEREZ/ - PLAST			
n - počet vývodov	Obj. č. rozdelovača bez hrdla	Index	D (mm)
18	13102300	18	317
18N	13102301	18N	317
19	13102500	19	327
19N	13102501	19N	327
20	13102700	20	338
20N	13102800	20N	338
21	13105600	21	348
21N	13105700	21N	348
22	13104800	22	360
22N	13104880	22N	360
23	13105000	23	376
23N	13105100	23N	376
24	13101100	24	381
24N	13101250	24N	381
25	13105200	25	396
25N	13105300	25N	396
26	13104500	26	403
26N	13104580	26N	403
27	13106200	27	409
27N	13106300	27N	409
28	13104600	28	415
28N	13104680	28N	415
29	13104700	29	430
29N	13104780	29N	430
30	13102850	30	443
30N	13102950	30N	443
31	13106500	31	457
31N	13106580	31N	457
32	13101300	32	464
32N	13101450	32N	464
33	13106600	33	478
33N	13106680	33N	478
34	13106800	34	493
34N	13106880	34N	493
35	13106900	35	507
35N	13106980	35N	507
36	13101500	36	514
36N	13101650	36N	514

R (Ø32) KOV /NEREZ/ - PLAST

n - počet vývodov	Obj. č. rozdelovača bez hrdla	Index	D (mm)
37	13107000	37	528
37N	13107080	37N	528
38	13101700	38	542
38N	13101780	38N	542
39	13107100	39	556
39N	13107180	39N	556
40	13106400	40	571
40N	13106480	40N	571
41	13107200	41	585
41N	13107280	41N	585
42	13107300	42	599
42N	13107380	42N	599
43	13106700	43	605
43N	13106780	43N	605
44	13107400	44	609
44N	13107480	44N	609
45	13107500	45	614
45N	13107580	45N	614
46	13107600	46	619
46N	13107680	46N	619
47	13107700	47	622
47N	13107780	47N	622
48 - Rybin. kryt	13101981	13101901	636
48 - Štandard	13101982	13101900	636

K071/B-T (6/24)